

1. Specification

Cebu

Model Name		Indoor Unit		AR50F07C1AHNEU	AR50F09C1AHNEU	AR50F12C1AHNEU	
		Outdoor Unit		AR50F07C1AHXEU	AR50F09C1AHXEU	AR50F12C1AHXEU	
System	Mode			-	Heat Pump	Heat Pump	Heat Pump
	Performance	Capacity (Min/Std/Max)	Cooling	kW	1.05 / 2 / 3	1.05 / 2.5 / 3.5	1.05 / 3.5 / 4
				Btu/h	3,583 / 6,824 / 10,236	3,583 / 8,530 / 11,942	3,583 / 11,942 / 13,649
			Heating	kW	0.85 / 2.2 / 4.5	0.85 / 3.2 / 4.5	0.85 / 3.5 / 5
				Btu/h	2,900 / 7,507 / 15,355	2,900 / 10,919 / 15,355	2,900 / 11,942 / 17,061
	Power	Power Input (Min/Std/Max)	Cooling	kW	0.21 / 0.46 / 0.88	0.21 / 0.6 / 1.05	0.21 / 1.06 / 1.2
			Heating	kW	0.18 / 0.47 / 1.6	0.18 / 0.85 / 1.6	0.18 / 0.93 / 1.72
		Current Input (Min/Std/Max)	Cooling	A	1.2 / 2.4 / 3.9	1.2 / 2.9 / 4.6	1.2 / 4.7 / 5.3
			Heating	A	1.4 / 2.5 / 7	1.4 / 3.8 / 7	1.4 / 4.2 / 7.6
	Efficiency	EER	Cooling	W/W	4.35	4.17	3.30
		COP	Heating	-	4.68	3.76	3.76
	Efficiency (EN14825)	Pdesign_C	Cooling	kW	2	2.5	3.5
		SEER		W/W	7.6 (A++)	7.4 (A++)	7 (A++)
		Pdesign_H	Heating (Wamer/Average)	kW	1.2 / 2.1	1.2 / 2.1	1.2 / 2.2
		SCOP		W/W	4.9 / 4.2 (A++ / A+)	4.9 / 4.2 (A++ / A+)	4.9 / 4.2 (A++ / A+)
	Piping Connections	Liquid Pipe		Type	Flare	Flare	Flare
				Φ, mm (inch)	6.35 (1/4)	6.35 (1/4)	6.35 (1/4)
		Gas Pipe		Type	Flare	Flare	Flare
				Φ, mm (inch)	9.52 (3/8)	9.52 (3/8)	9.52 (3/8)
		Heat Insulation		-	Both liquid and gas pipes	Both liquid and gas pipes	Both liquid and gas pipes
		Installation Limitation	Max. Length (Outdoor to indoor)	m	15	15	15
	Max. Height (Between ID/OD)			m	8	8	8
		Wiring connections	Power Source Wire		mm ²	1.5	1.5
	Communication		Min.	mm ²	0.75	0.75	0.75
			Remark	-	F1,F2	F1,F2	F1,F2
	Refrigerant	Type		-	R32	R32	R32
Factory Charging		kg	0.70	0.70	0.70		
		tCO ₂ e	0.47	0.47	0.47		
Indoor Unit	Power Supply		Ø, #, V, Hz	1, 2, 220-240, 50	1, 2, 220-240, 50	1, 2, 220-240, 50	
	Heat Exchanger	Type		-	F&T	F&T	F&T
		Material	Fin	-	AL	AL	AL
			Tube	-	Cu	Cu	Cu
		Fin Treatment		-	Hydrophile	Hydrophile	Hydrophile
	Fan	Type		-	Cross Flow	Cross Flow	Cross Flow
		Quantity		EA	1	1	1
		Air Flow Rate	Cooling (T/H/M/L)	m ³ /min	10 / 9.5 / 9 / 8.5	10.5 / 10 / 9.5 / 8.5	10.9 / 10.5 / 9.5 / 8.5
			Heating (T/H/M/L)	l/s	167 / 158 / 150 / 142	175 / 167 / 158 / 142	182 / 175 / 158 / 142
	Fan Motor	Type		-	BLDC	BLDC	BLDC
		Output		W x n	27 x 1	27 x 1	27 x 1
	Drain	Drain Pipe		Φ, mm	16.3, 550	16.3, 550	16.3, 550
	Sound Level	Sound Pressure Level	H / Silent	dB(A)	37 / 19	37 / 19	38 / 19
			SoundPowerLevel	dB(A)	54	54	56
	External Dimension	Net Weight		kg	9.1	9.1	9.1
		Shipping Weight		kg	11.0	11.0	11.0
		Net Dimensions (WxHxD)		mm	820 x 299 x 215	820 x 299 x 215	820 x 299 x 215
	Casing	Shipping Dimensions (WxHxD)		mm	880 x 290 x 375	880 x 290 x 375	880 x 290 x 375
		Material		-	HIPS	HIPS	HIPS
	Control System	Infrared remote control		-	Included	Included	Included
		Wired remote control		-	-	-	-
	Drain Pump	Drain Pump		-	-	-	-
		Max. lifting Height / Displacement		mm / Liter/h	-	-	-
	Additional Accessories	Easy Filter Plus		-	Removable / Washable	Removable / Washable	Removable / Washable
		Tri-Care Filter		-	-	-	-
		Motion Detect Sensor		-	-	-	-
Wi-Fi		-	●	●	●		

1. Specification

Cebu

Model Name		Indoor Unit		AR50F07C1AHNEU	AR50F09C1AHNEU	AR50F12C1AHNEU	
		Outdoor Unit		AR50F07C1AHXEU	AR50F09C1AHXEU	AR50F12C1AHXEU	
Outdoor Unit	Power Supply		Ø, #, V, Hz	1, 2, 220-240, 50	1, 2, 220-240, 50	1, 2, 220-240, 50	
	Heat Exchanger	Type		-	F&T	F&T	
		Material	Fin	-	Al	Al	Al
			Tube	-	Cu	Cu	Cu
	Fin Treatment		-	Hydrophile	Hydrophile	Hydrophile	
	Compressor	Model Name			UB1TC5102FJ6	UB1TC5102FJ6	UB1TC5102FJ6
		Type		-	Twin Rotary	Twin Rotary	Twin Rotary
		Output		kW	3.05	3.05	3.05
		Oil	Type	-	POE	POE	POE
	Initial charge		cc	260	260	260	
	Fan	Type		-	Propeller	Propeller	Propeller
		Discharge direction		-	Front	Front	Front
		Quantity		EA	1	1	1
		Air Flow Rate		m ³ /min	38	38	38
	l/s			633	633	633	
	Fan Motor	Type		-	BLDC	BLDC	BLDC
		Output		W x n	45 x 1	45 x 1	45 x 1
	Sound Level	Sound Pressure Level	Cooling	dB(A)	45	45	46
		SoundPowerLevel		dB(A)	60	63	63
	External Dimension	Net Weight		kg	24.0	24.0	24.4
Shipping Weight		kg	26.2	26.2	26.2		
Net Dimensions (WxHxD)		mm	710 x 540 x 220	710 x 540 x 220	710 x 540 x 220		
Shipping Dimensions (WxHxD)		mm	834 x 620 x 323	834 x 620 x 323	834 x 620 x 323		
Casing	Material	Body	-	EGI Steel Plate / PP	EGI Steel Plate / PP	EGI Steel Plate / PP	
Operating Temp. Range	Cooling		°C	-10 ~ 46	-10 ~ 46	-10 ~ 46	
	Heating		°C	-15 ~ 24	-15 ~ 24	-15 ~ 24	

NOTE

- Specifications may be subject to change without prior notice.
- Nominal cooling capacities are based on;
Indoor temperature: 27°C DB, 19°C WB
Outdoor temperature: 35°C DB, 24°C WB, Equivalent refrigerant piping: 5m, Level differences: 0 m
 - Nominal heating capacities are based on;
Indoor temperature: 20°C DB, 15°C WB
Outdoor temperature: 7°C DB, 6°C WB, Equivalent refrigerant piping: 5m, Level differences: 0 m
 - Sound pressure was acquired in an anechoic room. Thus actual noise level may be different depending on the installation conditions.
 - These products contain R32 which is fluorinated greenhouse gas.

1. Specification

Cebu

Model Name		Indoor Unit		AR50F15C1AHNEU	AR50F18C1AHNEU	AR50F24C1AHNEU	
		Outdoor Unit		AR50F15C1AHXEU	AR50F18C1AHXEU	AR50F24C1AHXEU	
System	Mode		-	Heat Pump	Heat Pump	Heat Pump	
	Performance	Capacity (Min/Std/Max)	Cooling	kW	0.95 / 4.3 / 4.8	1.6 / 5 / 6.7	1.4 / 6.5 / 7.6
				Btu/h	3,242 / 14,672 / 16,378	5,459 / 17,061 / 22,861	4,777 / 22,179 / 25,932
			Heating	kW	0.75 / 4.3 / 7	1.3 / 6 / 8	1.2 / 7.4 / 9.7
				Btu/h	2,559 / 14,672 / 23,885	4,436 / 20,473 / 27,297	4,095 / 25,250 / 33,098
	Power	Power Input (Min/Std/Max)	Cooling	kW	0.18 / 1.27 / 1.57	0.32 / 1.39 / 2.18	0.3 / 1.95 / 2.6
			Heating	kW	0.15 / 1.24 / 2.3	0.27 / 1.61 / 2.5	0.27 / 2.2 / 3.2
		Current Input (Min/Std/Max)	Cooling	A	1.5 / 5.6 / 6.9	2 / 6.4 / 10	2 / 8.8 / 11.5
			Heating	A	1.3 / 5.5 / 10.2	1.7 / 7.8 / 11.5	1.7 / 9.8 / 14
	Efficiency	EER	Cooling	W/W	3.39	3.60	3.33
		COP	Heating	-	3.47	3.73	3.36
	Efficiency (EN14825)	Pdesign_C	Cooling	kW	4.3	5	6.5
		SEER		W/W	7.6 (A++)	7 (A++)	6.8 (A++)
		Pdesign_H	Heating (Wamer/Average)	kW	1.5 / 2.7	2.2 / 3.8	2.2 / 4.1
		SCOP		W/W	5.4 / 4.5 (A+++ / A+)	5.3 / 4.1 (A+++ / A+)	5.3 / 4.3 (A+++ / A+)
	Piping Connections	Liquid Pipe		Type	Flare	Flare	Flare
				Φ, mm (inch)	6.35 (1/4)	6.35 (1/4)	6.35 (1/4)
		Gas Pipe		Type	Flare	Flare	Flare
				Φ, mm (inch)	9.52 (3/8)	12.7 (1/2)	15.88 (5/8)
		Heat Insulation		-	Both liquid and gas pipes	Both liquid and gas pipes	Both liquid and gas pipes
		Installation Limitation	Max. Length (Outdoor to indoor)	m	20	30	30
	Max. Height (Between ID/OD)			m	8	15	15
		Wiring connections	Power Source Wire		mm ²	1.5	1.5
	Communication		Min.	mm ²	0.75	0.75	0.75
			Remark	-	F1,F2	F1,F2	F1,F2
	Refrigerant	Type		-	R32	R32	R32
		Factory Charging		kg	0.93	1.30	1.30
tCO ₂ e				0.63	0.88	0.88	
Indoor Unit	Power Supply		Ø, #, V, Hz	1, 2, 220-240, 50	1, 2, 220-240, 50	1, 2, 220-240, 50	
	Heat Exchanger	Type		-	F&T	F&T	F&T
		Material	Fin	-	Al	Al	Al
			Tube	-	Cu	Cu	Cu
		Fin Treatment		-	Hydrophile	Hydrophile	Hydrophile
	Fan	Type		-	Cross Flow	Cross Flow	Cross Flow
		Quantity		EA	1	1	1
		Air Flow Rate	Cooling (T/H/M/L)	m ³ /min	12.4 / 11.4 / 10 / 8.5	15.7 / 14.4 / 13.1 / 11.7	17.7 / 15.7 / 13.7 / 11.7
				l/s	207 / 190 / 167 / 142	362 / 240 / 218 / 195	295 / 362 / 228 / 195
			Heating (T/H/M/L)	m ³ /min	13.3 / 12.4 / 10.9 / 9.5	15.7 / 14.4 / 13.1 / 11.7	18.4 / 16.4 / 14.4 / 12.4
	l/s			222 / 207 / 182 / 158	362 / 240 / 218 / 195	307 / 273 / 240 / 207	
	Fan Motor	Type		-	BLDC	BLDC	BLDC
		Output		W x n	27 x 1	27 x 1	27 x 1
	Drain	Drain Pipe		Φ, mm	16.3, 550	16.3, 550	16.3, 550
	Sound Level	Sound Pressure Level	H / Silent	dB(A)	41 / 25	41 / 25	45 / 27
			SoundPowerLevel	dB(A)	58	58	62
	External Dimension	Net Weight		kg	9.1	12.5	12.5
		Shipping Weight		kg	11.0	14.2	14.2
		Net Dimensions (WxHxD)		mm	820 x 299 x 215	1,055 x 299 x 215	1,055 x 299 x 215
		Shipping Dimensions (WxHxD)		mm	880 x 290 x 375	1,115 x 290 x 375	1,115 x 290 x 375
	Casing	Material		-	HIPS	HIPS	HIPS
	Control System	Infrared remote control		-	Included	Included	Included
		Wired remote control		-	-	-	-
	Drain Pump	Drain Pump		-	-	-	-
		Max. lifting Height / Displacement		mm / Liter/h	-	-	-
	Additional Accessories	Easy Filter Plus		-	Removable / Washable	Removable / Washable	Removable / Washable
		Tri-Care Filter		-	-	-	-
Motion Detect Sensor		-	-	-	-		
Wi-Fi		-	●	●	●		

1. Specification

Cebu

Model Name		Indoor Unit		AR50F15C1AHNEU	AR50F18C1AHNEU	AR50F24C1AHNEU	
		Outdoor Unit		AR50F15C1AHXEU	AR50F18C1AHXEU	AR50F24C1AHXEU	
Outdoor Unit	Power Supply		Ø, #, V, Hz	1, 2, 220-240, 50	1, 2, 220-240, 50	1, 2, 220-240, 50	
	Heat Exchanger	Type		-	F&T	F&T	
		Material	Fin	-	Al	Al	Al
			Tube	-	Cu	Cu	Cu
	Fin Treatment		-	Hydrophile	Hydrophile	Hydrophile	
	Compressor	Model Name			KTN130D42UFR	KTN150D42UFR	KTN150D42UFR
		Type		-	Twin Rotary	Twin Rotary	Twin Rotary
		Output		kW	4.09	4.68	4.68
		Oil	Type	-	POE	POE	POE
	Initial charge		cc	350	450	450	
	Fan	Type		-	Propeller	Propeller	Propeller
		Discharge direction		-	Front	Front	Front
		Quantity		EA	1	1	1
		Air Flow Rate		m ³ /min	45	50	50
	l/s			750	833	833	
	Fan Motor	Type		-	BLDC	BLDC	BLDC
		Output		W x n	45 x 1	45 x 1	125 x 1
	Sound Level	Sound Pressure Level	Cooling	dB(A)	48	51	54
		SoundPowerLevel		dB(A)	65	65	68
	External Dimension	Net Weight		kg	30.7	36.8	38.6
Shipping Weight		kg	33.0	40.1	42.0		
Net Dimensions (WxHxD)		mm	790 x 548 x 285	880 x 638 x 310	880 x 638 x 310		
Shipping Dimensions (WxHxD)		mm	913 x 622 x 371	1,023 x 724 x 413	1,023 x 724 x 413		
Casing	Material	Body	-	EGI Steel Plate / PP	EGI Steel Plate / PP	EGI Steel Plate / PP	
Operating Temp. Range	Cooling		°C	-10 ~ 46	-10 ~ 46	-10 ~ 46	
	Heating		°C	-15 ~ 24	-15 ~ 24	-15 ~ 24	

NOTE

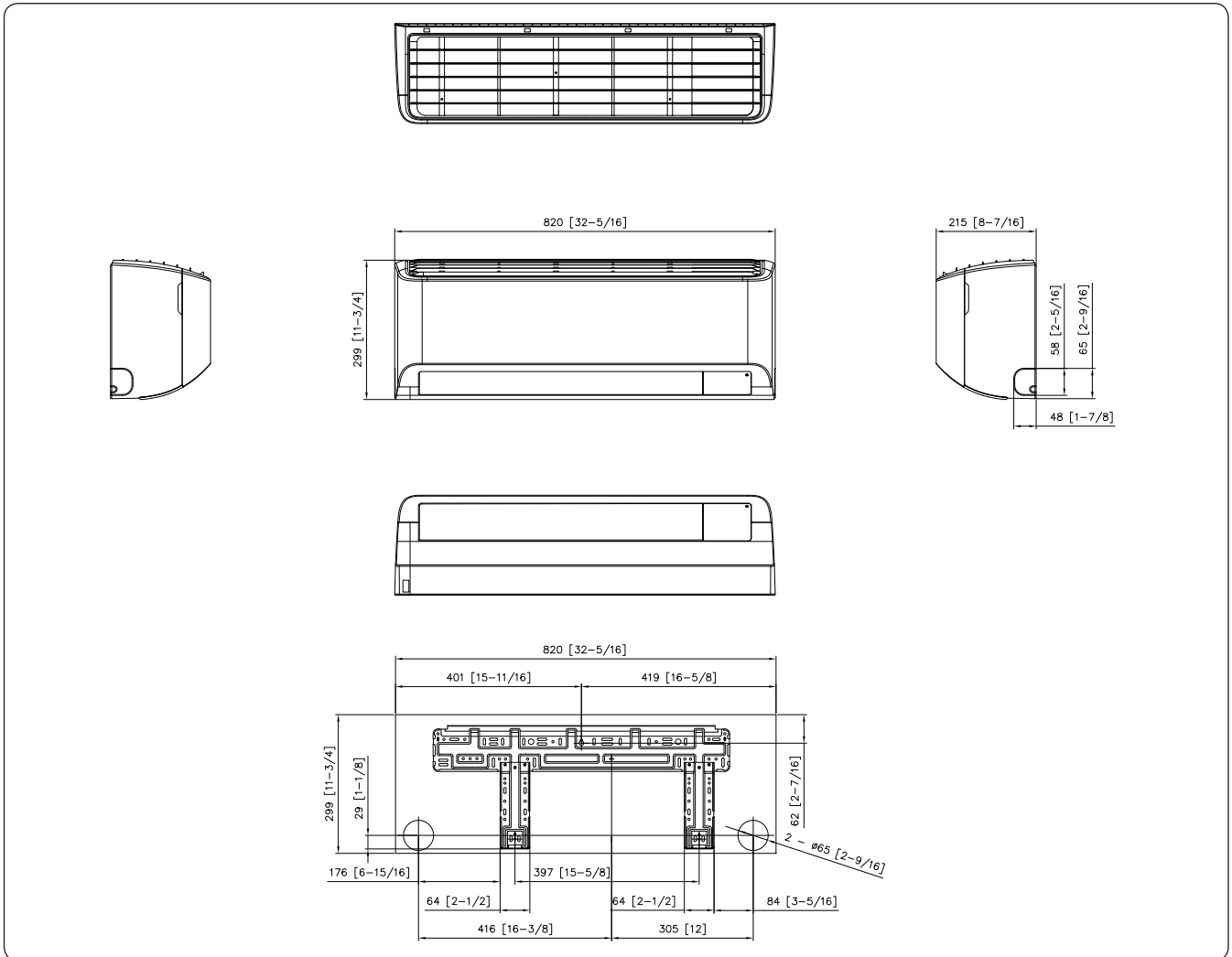
- Specifications may be subject to change without prior notice.
- Nominal cooling capacities are based on;
Indoor temperature: 27°C DB, 19°C WB
Outdoor temperature: 35°C DB, 24°C WB, Equivalent refrigerant piping: 5m, Level differences: 0 m
 - Nominal heating capacities are based on;
Indoor temperature: 20°C DB, 15°C WB
Outdoor temperature: 7°C DB, 6°C WB, Equivalent refrigerant piping: 5m, Level differences: 0 m
 - Sound pressure was acquired in an anechoic room. Thus actual noise level may be different depending on the installation conditions.
 - These products contain R32 which is fluorinated greenhouse gas.

3. Dimensional Drawing

Indoor units

AR50F07C1AHNEU, AR50F09C1AHNEU, AR50F12C1AHNEU, AR50F15C1AHNEU, AR50F09C1BHNEU
AR50F12C1BHNEU

Unit: mm (inches)

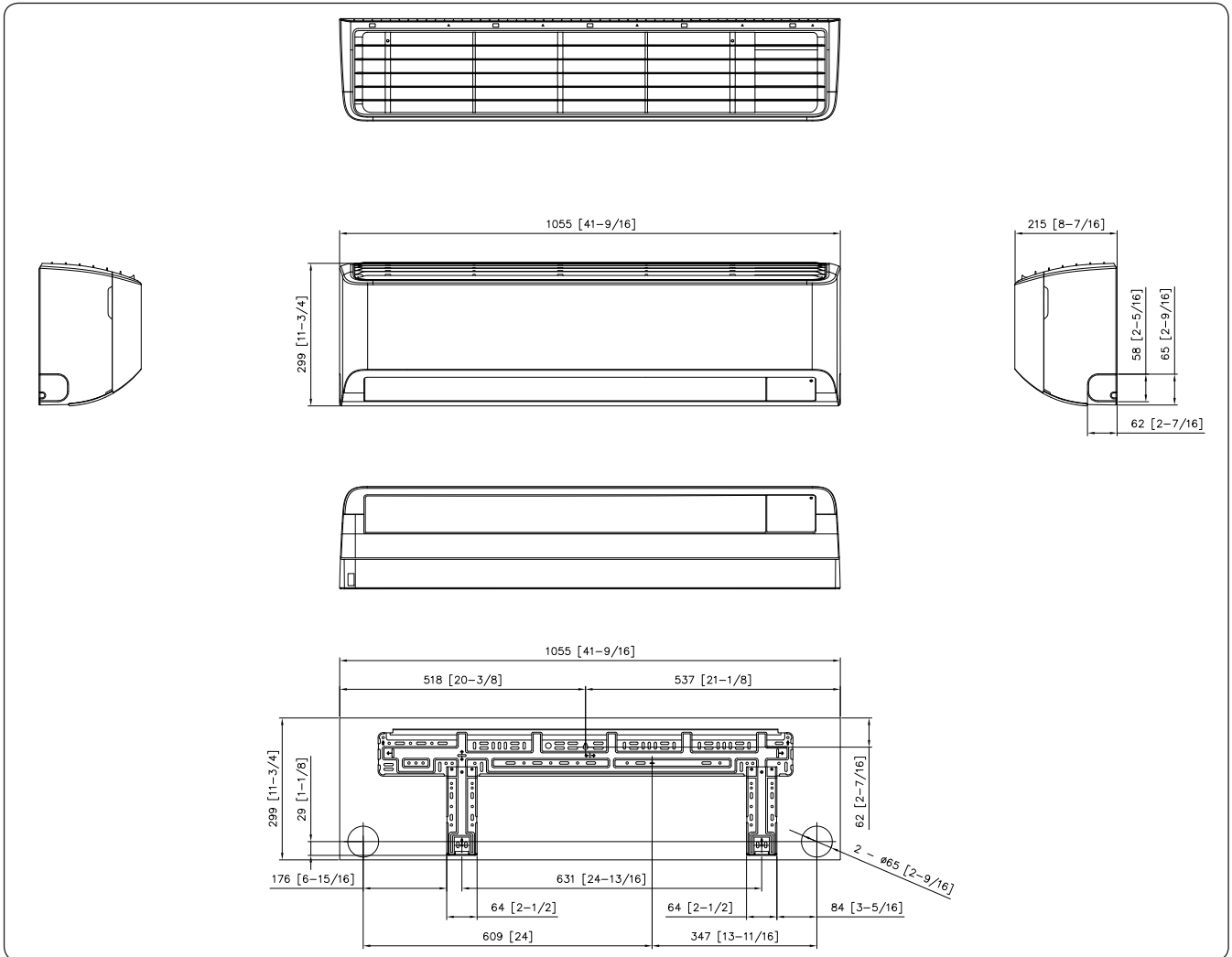


3. Dimensional Drawing

Indoor units

AR70F18C1AWNEU, AR70F24C1AWNEU, AR60F18C1AWNEU, AR60F24C1AWNEU, AR50F18C1AHNEU
AR50F24C1AHNEU, AR50F18C1BHNEU, AR50F24C1BHNEU

Unit: mm (inches)

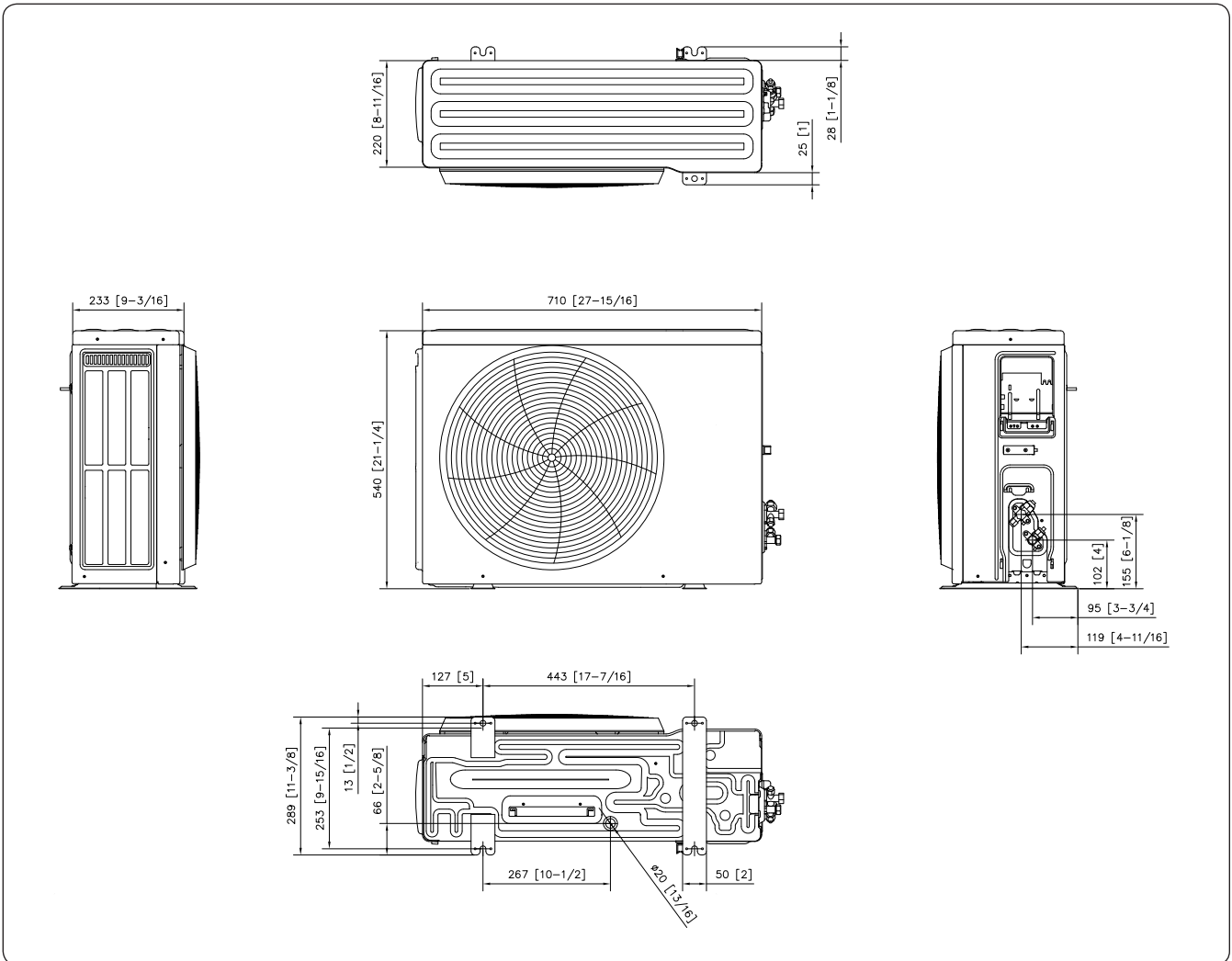


3. Dimensional Drawing

Outdoor units

AR60F09C1AWXEU, AR60F12C1AWXEU, AR50F07C1AHXEU, AR50F09C1AHXEU, AR50F12C1AHXEU
AR50F09C1BHXEU, AR50F12C1BHXEU

Unit: mm (inches)

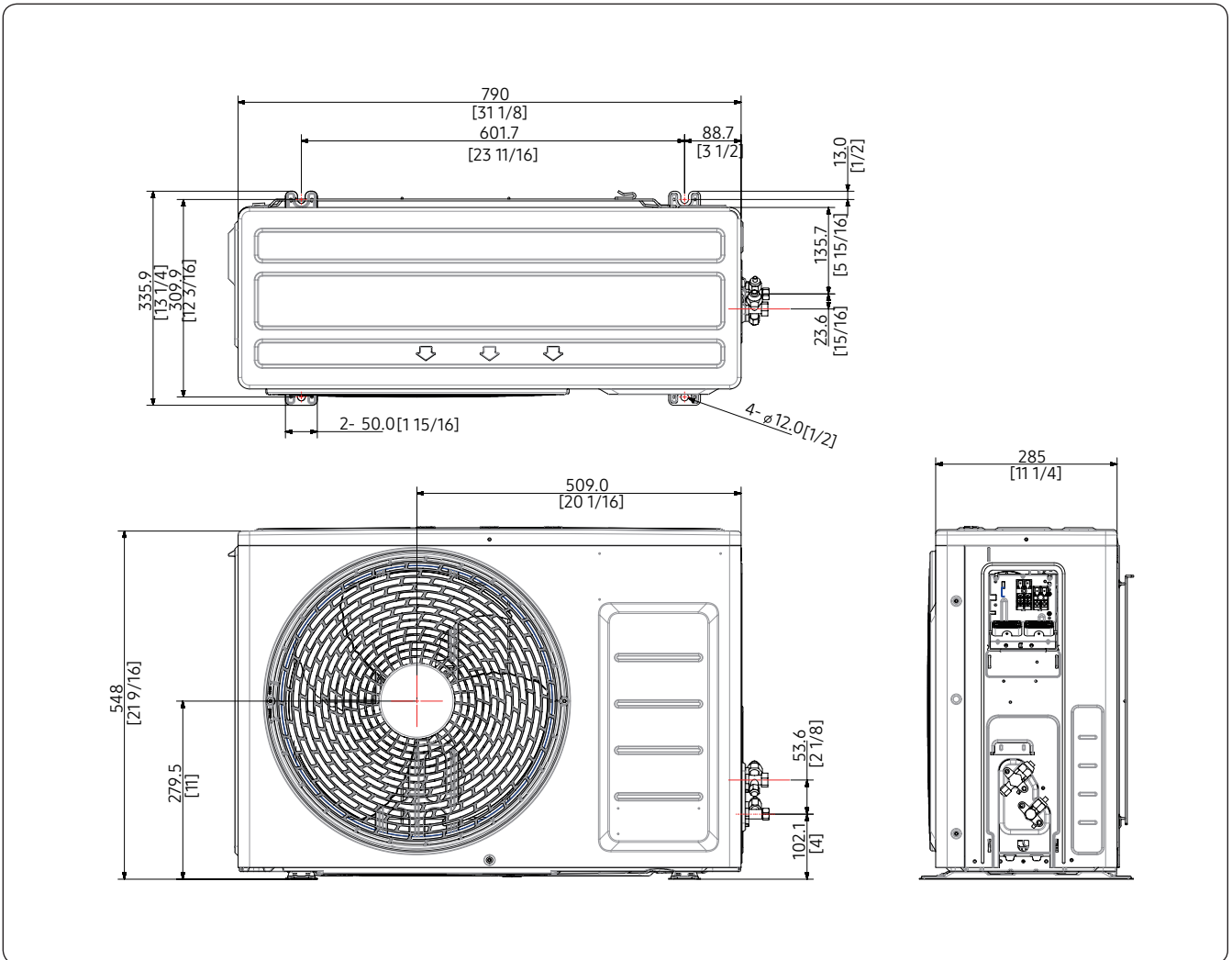


3. Dimensional Drawing

Outdoor units

AR70F09CAAWXEU, AR70F12CAAWXEU, AR70F07C1AWXEU, AR70F09C1AWXEU, AR70F12C1AWXEU
AR70F15C1AWXEU, AR50F15C1AHXEU

Unit: mm (inches)



3. Dimensional Drawing

Outdoor units

AR70F18C1AWXEU, AR70F24C1AWXEU, AR60F18C1AWXEU, AR60F24C1AWXEU, AR50F18C1AHXEU
AR50F24C1AHXEU, AR50F18C1BHXEU, AR50F24C1BHXEU

Unit: mm (inches)

