

# 1. Specification

## Comfort

Model Name		Indoor Unit		AR60F09C1AWNEU		AR60F12C1AWNEU		
		Outdoor Unit		AR60F09C1AWXEU		AR60F12C1AWXEU		
System	Mode				Heat Pump		Heat Pump	
	Performance	Capacity (Min/Std/Max)	Cooling	kW	1 / 2.5 / 3.5		0.9 / 3.5 / 4.2	
				Btu/h	3,412 / 8,530 / 11,942		3,071 / 11,942 / 14,331	
			Heating	kW	0.88 / 3.2 / 5		0.85 / 4 / 5	
				Btu/h	3,003 / 10,919 / 17,061		2,900 / 13,649 / 17,061	
	Power	Power Input (Min/Std/Max)	Cooling	kW	0.2 / 0.625 / 1.07		0.205 / 0.99 / 1.2	
			Heating	kW	0.18 / 0.77 / 1.38		0.18 / 1.02 / 1.45	
		Current Input (Min/Std/Max)	Cooling	A	1.1 / 2.9 / 4.7		1.1 / 4.4 / 5.3	
			Heating	A	1.4 / 3.4 / 6.1		1 / 4.5 / 6.4	
	Efficiency	EER	Cooling	W/W	4.00		3.54	
		COP	Heating	-	4.16		3.92	
	Efficiency (EN14825)	Pdesign_C	Cooling	kW	2.5		3.5	
		SEER		W/W	7.9 (A++)		7.6 (A++)	
		Pdesign_H	Heating	kW	1.2 / 2.2		1.2 / 2.3	
		SCOP	(Warmer/Average)	W/W	5.2 / 4.6 (A+++ / A++)		5.4 / 4.6 (A+++ / A++)	
	Piping Connections	Liquid Pipe		Type	Flare		Flare	
				Φ, mm (inch)	6.35 (1/4)		6.35 (1/4)	
		Gas Pipe		Type	Flare		Flare	
				Φ, mm (inch)	9.52 (3/8)		9.52 (3/8)	
		Heat Insulation		-	Both liquid and gas pipes		Both liquid and gas pipes	
		Installation Limitation	Max. Length (Outdoor to indoor)	m	15		15	
	Max. Height (Between ID/OD)			m	8		8	
		Wiring connections	Power Source Wire		mm <sup>2</sup>	1.5		1.5
	Communication		Min.	mm <sup>2</sup>	0.75		0.75	
Remark			-	F1,F2		F1,F2		
Refrigerant	Type		-	R32		R32		
	Factory Charging		kg	0.70		0.70		
				tCO <sub>2</sub> e	0.47		0.47	
Indoor Unit	Power Supply		Ø, #, V, Hz	1, 2, 220-240, 50		1, 2, 220-240, 50		
	Heat Exchanger	Type		-	F&T		F&T	
		Material	Fin	-	Al		Al	
			Tube	-	Cu		Cu	
	Fin Treatment		-	Hydrophile		Hydrophile		
	Fan	Type		-	Cross Flow		Cross Flow	
		Quantity		EA	1		1	
		Air Flow Rate	Cooling (T/H/M/L)	m <sup>3</sup> /min	12.1 / 11.1 / 9.5 / 7.9		13.1 / 11.6 / 10 / 7.9	
				l/s	202 / 185 / 158 / 132		218 / 193 / 167 / 132	
		Heating (T/H/M/L)	m <sup>3</sup> /min	14.2 / 13.1 / 11.6 / 10		14.2 / 12.6 / 11.1 / 9		
			l/s	237 / 218 / 193 / 167		237 / 210 / 185 / 150		
	Fan Motor	Type		-	BLDC		BLDC	
		Output		W x n	27 x 1		27 x 1	
	Drain	Drain Pipe		Φ, mm	16.3, 550		16.3, 550	
	Sound Level	Sound Pressure Level	H / Silent	dB(A)	38 / 16		40 / 16	
			SoundPowerLevel		dB(A)	56		58
	External Dimension	Net Weight		kg	9.9		9.9	
		Shipping Weight		kg	11.6		11.6	
		Net Dimensions (WxHxD)		mm	889 x 299 x 215		889 x 299 x 215	
		Shipping Dimensions (WxHxD)		mm	950 x 290 x 375		950 x 290 x 375	
	Casing	Material		-	HIPS		HIPS	
	Control System	Infrared remote control		-	Included		Included	
		Wired remote control		-	-		-	
	Drain Pump	Drain Pump		-	-		-	
Max. lifting Height / Displacement		mm / Liter/h	-		-			
Additional Accessories	Easy Filter Plus		-	Removable / Washable		Removable / Washable		
	Tri-Care Filter		-	-		-		
	Motion Detect Sensor		-	-		-		
	Wi-Fi		-	●		●		

# 1. Specification

## Comfort

Model Name		Indoor Unit		AR60F09C1AWNEU		AR60F12C1AWNEU	
		Outdoor Unit		AR60F09C1AWXEU		AR60F12C1AWXEU	
Outdoor Unit	Power Supply			Ø, #, V, Hz	1, 2, 220-240, 50		1, 2, 220-240, 50
		Type		-	F&T		F&T
	Heat Exchanger	Material	Fin	-	Al		Al
			Tube	-	Cu		Cu
		Fin Treatment		-	Hydrophile		Hydrophile
	Compressor	Model Name			UB1TC5102FJ6		UB1TC5102FJ6
		Type		-	Twin Rotary		Twin Rotary
		Output		kW	3.05		3.05
		Oil	Type	-	POE		POE
	Initial charge		cc	260		260	
	Fan	Type		-	Propeller		Propeller
		Discharge direction		-	Front		Front
		Quantity		EA	1		1
		Air Flow Rate		m <sup>3</sup> /min	38		38
	l/s			633		633	
	Fan Motor	Type		-	BLDC		BLDC
		Output		W x n	45 x 1		45 x 1
	Sound Level	Sound Pressure Level	Cooling	dB(A)	45		46
		SoundPowerLevel		dB(A)	63		63
	External Dimension	Net Weight		kg	24.0		24.0
		Shipping Weight		kg	26.2		26.2
		Net Dimensions (WxHxD)		mm	710 x 540 x 220		710 x 540 x 220
	Shipping Dimensions (WxHxD)		mm	834 x 620 x 323		834 x 620 x 323	
	Casing	Material	Body	-	EGI Steel Plate / PP		EGI Steel Plate / PP
Operating Temp. Range	Cooling		°C	-10 ~ 46		-10 ~ 46	
	Heating		°C	-15 ~ 24		-15 ~ 24	

### NOTE

- Specifications may be subject to change without prior notice.
- Nominal cooling capacities are based on;  
Indoor temperature: 27°C DB, 19°C WB  
Outdoor temperature: 35°C DB, 24°C WB, Equivalent refrigerant piping: 5m, Level differences: 0 m
  - Nominal heating capacities are based on;  
Indoor temperature: 20°C DB, 15°C WB  
Outdoor temperature: 7°C DB, 6°C WB, Equivalent refrigerant piping: 5m, Level differences: 0 m
  - Sound pressure was acquired in an anechoic room. Thus actual noise level may be different depending on the installation conditions.
  - These products contain R32 which is fluorinated greenhouse gas.

# 1. Specification

## Comfort

Model Name		Indoor Unit		AR60F18C1AWNEU		AR60F24C1AWNEU		
		Outdoor Unit		AR60F18C1AWXEU		AR60F24C1AWXEU		
System	Mode				Heat Pump		Heat Pump	
	Performance	Capacity (Min/Std/Max)	Cooling	kW	1.6 / 5 / 6.7		1.4 / 6.5 / 7.6	
				Btu/h	5,459 / 17,061 / 22,861		4,777 / 22,179 / 25,932	
			Heating	kW	1.3 / 6 / 8		1.2 / 7.4 / 9.7	
				Btu/h	4,436 / 20,473 / 27,297		4,095 / 25,250 / 33,098	
	Power	Power Input (Min/Std/Max)	Cooling	kW	0.32 / 1.39 / 2.18		0.3 / 1.95 / 2.6	
			Heating	kW	0.27 / 1.61 / 2.5		0.27 / 2.2 / 3.2	
		Current Input (Min/Std/Max)	Cooling	A	2 / 6.4 / 10		2 / 8.8 / 11.5	
			Heating	A	1.7 / 7.8 / 11.5		1.7 / 9.8 / 14	
	Efficiency	EER	Cooling	W/W	3.60		3.33	
		COP	Heating	-	3.73		3.36	
	Efficiency (EN14825)	Pdesign_C	Cooling	kW	5		6.5	
		SEER		W/W	7.2 (A++)		7 (A++)	
		Pdesign_H	Heating	kW	2.2 / 3.8		2.2 / 4.1	
		SCOP	(Warmer/Average)	W/W	5.3 / 4.1 (A+++ / A+)		5.3 / 4.3 (A+++ / A+)	
	Piping Connections	Liquid Pipe		Type	Flare		Flare	
				Φ, mm (inch)	6.35 (1/4)		6.35 (1/4)	
		Gas Pipe		Type	Flare		Flare	
				Φ, mm (inch)	12.7 (1/2)		15.88 (5/8)	
		Heat Insulation		-	Both liquid and gas pipes		Both liquid and gas pipes	
		Installation Limitation	Max. Length (Outdoor to indoor)	m	30		30	
	Max. Height (Between ID/OD)			m	15		15	
		Wiring connections	Power Source Wire		mm <sup>2</sup>	1.5		2.5
Communication	Min.		mm <sup>2</sup>	0.75		0.75		
	Remark		-	F1,F2		F1,F2		
Refrigerant	Type		-	R32		R32		
	Factory Charging		kg	1.30		1.30		
			tCO <sub>2</sub> e	0.88		0.88		
Indoor Unit	Power Supply		Ø, #, V, Hz	1, 2, 220-240, 50		1, 2, 220-240, 50		
	Heat Exchanger	Type		-	F&T		F&T	
		Material	Fin	-	Al		Al	
			Tube	-	Cu		Cu	
	Fin Treatment		-	Hydrophile		Hydrophile		
	Fan	Type		-	Cross Flow		Cross Flow	
		Quantity		EA	1		1	
		Air Flow Rate	Cooling (T/H/M/L)	m <sup>3</sup> /min	15.7 / 14.5 / 13.2 / 11.3		17.6 / 15.7 / 13.9 / 11.3	
				l/s	362 / 242 / 220 / 188		293 / 362 / 232 / 188	
		Heating (T/H/M/L)	m <sup>3</sup> /min	15.7 / 14.5 / 13.2 / 11.3		18.3 / 16.4 / 14.5 / 12		
			l/s	362 / 242 / 220 / 188		305 / 273 / 242 / 200		
	Fan Motor	Type		-	BLDC		BLDC	
		Output		W x n	27 x 1		27 x 1	
	Drain	Drain Pipe		Φ, mm	16.3, 550		16.3, 550	
	Sound Level	Sound Pressure Level	H / Silent	dB(A)	41 / 25		45 / 27	
			SoundPowerLevel	dB(A)	58		62	
	External Dimension	Net Weight		kg	12.3		12.3	
		Shipping Weight		kg	14.2		14.2	
		Net Dimensions (WxHxD)		mm	1,055 x 299 x 215		1,055 x 299 x 215	
		Shipping Dimensions (WxHxD)		mm	1,115 x 290 x 375		1,115 x 290 x 375	
	Casing	Material		-	HIPS		HIPS	
	Control System	Infrared remote control		-	Included		Included	
		Wired remote control		-	-		-	
Drain Pump	Drain Pump		-	-		-		
	Max. lifting Height / Displacement		mm / Liter/h	-		-		
Additional Accessories	Easy Filter Plus		-	Removable / Washable		Removable / Washable		
	Tri-Care Filter		-	-		-		
	Motion Detect Sensor		-	-		-		
	Wi-Fi		-	●		●		

# 1. Specification

## Comfort

Model Name		Indoor Unit		AR60F18C1AWNEU	AR60F24C1AWNEU	
		Outdoor Unit		AR60F18C1AWXEU	AR60F24C1AWXEU	
Outdoor Unit	Power Supply			Ø, #, V, Hz	1, 2, 220-240, 50	
		Type		-	F&T	
	Heat Exchanger	Material	Fin	-	Al	Al
			Tube	-	Cu	Cu
		Fin Treatment		-	Hydrophile	Hydrophile
	Compressor	Model Name			KTN150D42UFR	KTN150D42UFR
		Type		-	Twin Rotary	Twin Rotary
		Output		kW	4.68	4.68
		Oil	Type	-	POE	POE
	Initial charge		cc	450	450	
	Fan	Type		-	Propeller	Propeller
		Discharge direction		-	Front	Front
		Quantity		EA	1	1
		Air Flow Rate		m <sup>3</sup> /min	50	50
	l/s			833	833	
	Fan Motor	Type		-	BLDC	BLDC
		Output		W x n	45 x 1	125 x 1
	Sound Level	Sound Pressure Level	Cooling	dB(A)	51	54
				SoundPowerLevel	dB(A)	65
	External Dimension	Net Weight		kg	36.8	38.6
		Shipping Weight		kg	40.1	42.0
		Net Dimensions (WxHxD)		mm	880 x 638 x 310	880 x 638 x 310
	Casing	Shipping Dimensions (WxHxD)		mm	1,023 x 724 x 413	1,023 x 724 x 413
		Material	Body	-	EGI Steel Plate / PP	EGI Steel Plate / PP
Operating Temp. Range	Cooling		°C	-10 ~ 46	-10 ~ 46	
	Heating		°C	-15 ~ 24	-15 ~ 24	

### NOTE

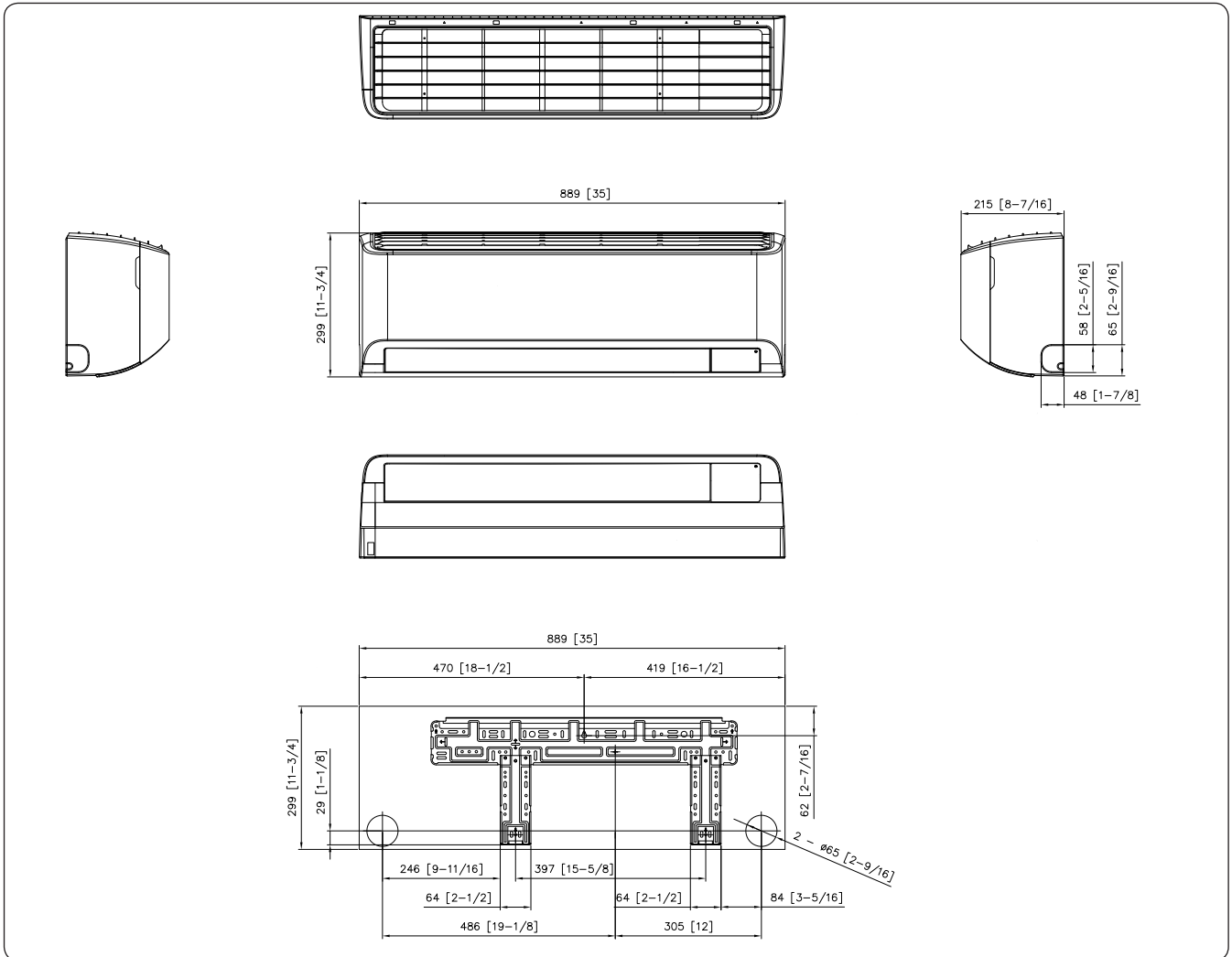
- Specifications may be subject to change without prior notice.
- 1) Nominal cooling capacities are based on;  
Indoor temperature: 27°C DB, 19°C WB  
Outdoor temperature: 35°C DB, 24°C WB, Equivalent refrigerant piping: 5m, Level differences: 0 m
- 2) Nominal heating capacities are based on;  
Indoor temperature: 20°C DB, 15°C WB  
Outdoor temperature: 7°C DB, 6°C WB, Equivalent refrigerant piping: 5m, Level differences: 0 m
- 3) Sound pressure was acquired in an anechoic room. Thus actual noise level may be different depending on the installation conditions.
- 4) These products contain R32 which is fluorinated greenhouse gas.

# 3. Dimensional Drawing

## Indoor units

AR70F09CAWNEU, AR70F12CAWNEU, AR70F07C1AWNEU, AR70F09C1AWNEU, AR70F12C1AWNEU  
AR70F15C1AWNEU, AR70F07C1ABNEU, AR70F09C1ABNEU, AR70F12C1ABNEU, AR60F09C1AWNEU  
AR60F12C1AWNEU

Unit: mm (inches)

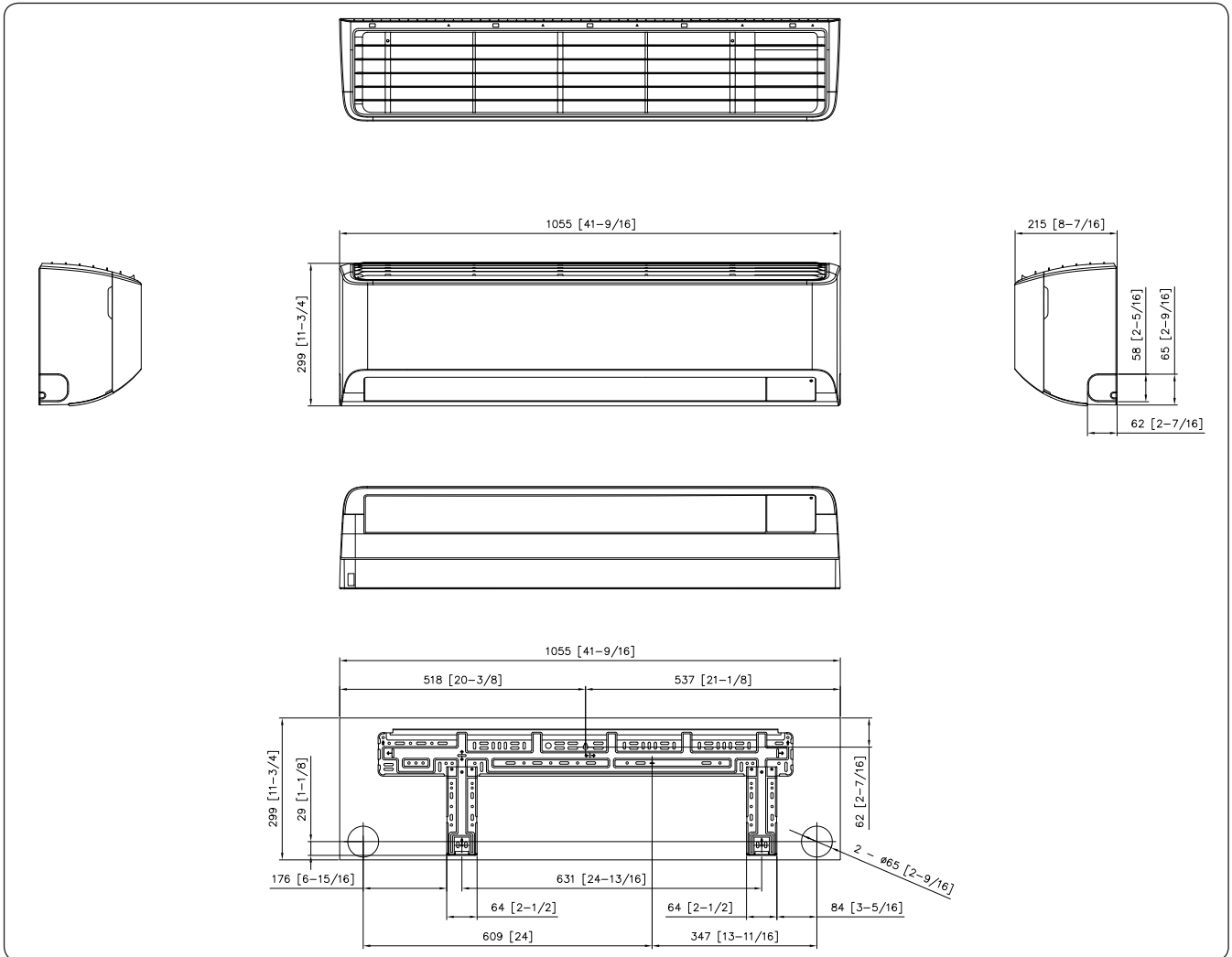


# 3. Dimensional Drawing

## Indoor units

AR70F18C1AWNEU, AR70F24C1AWNEU, AR60F18C1AWNEU, AR60F24C1AWNEU, AR50F18C1AHNEU  
AR50F24C1AHNEU, AR50F18C1BHNEU, AR50F24C1BHNEU

Unit: mm (inches)

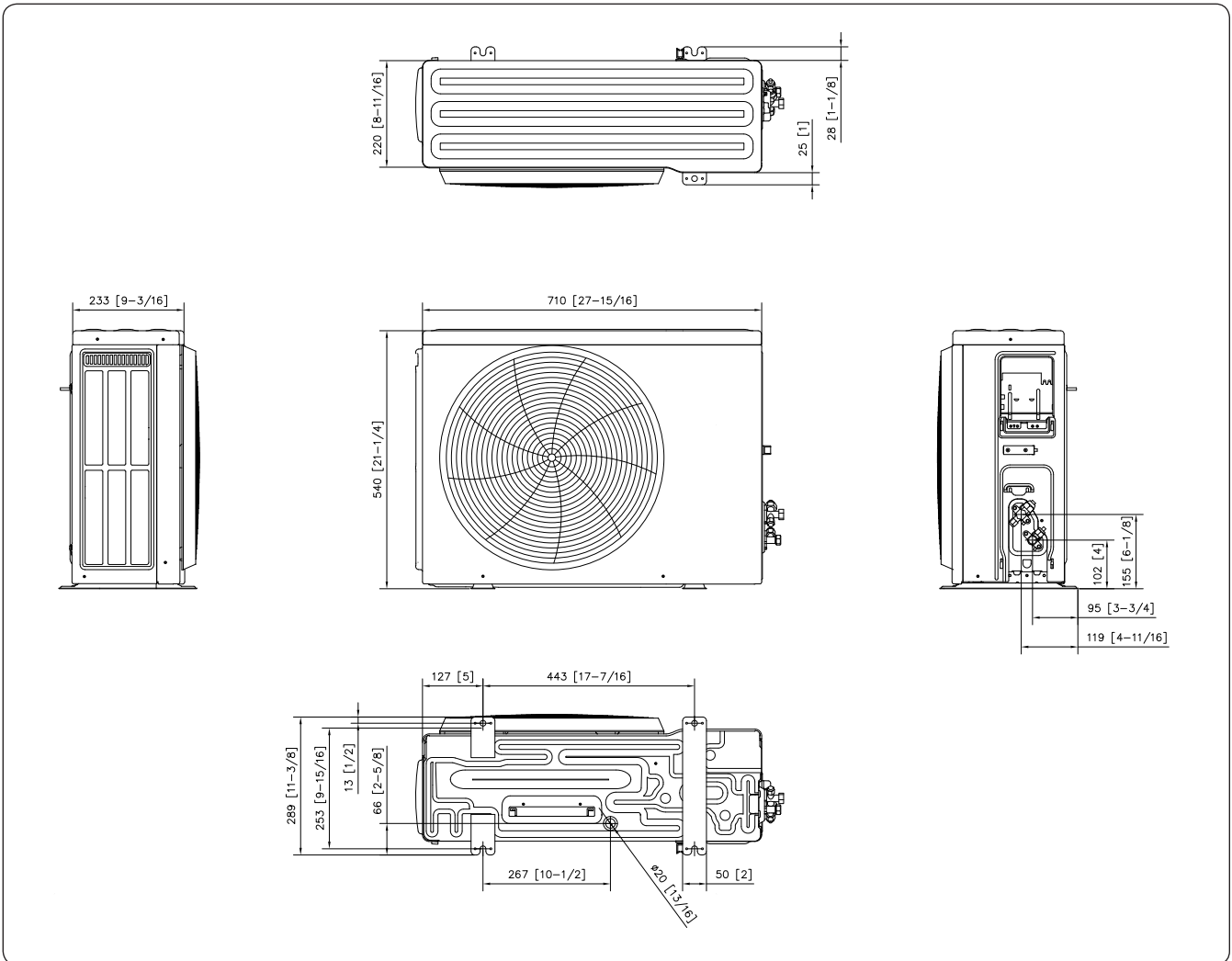


# 3. Dimensional Drawing

## Outdoor units

AR60F09C1AWXEU, AR60F12C1AWXEU, AR50F07C1AHXEU, AR50F09C1AHXEU, AR50F12C1AHXEU  
AR50F09C1BHXEU, AR50F12C1BHXEU

Unit: mm (inches)



# 3. Dimensional Drawing

## Outdoor units

AR70F18C1AWXEU, AR70F24C1AWXEU, AR60F18C1AWXEU, AR60F24C1AWXEU, AR50F18C1AHXEU  
AR50F24C1AHXEU, AR50F18C1BHXEU, AR50F24C1BHXEU

Unit: mm (inches)

